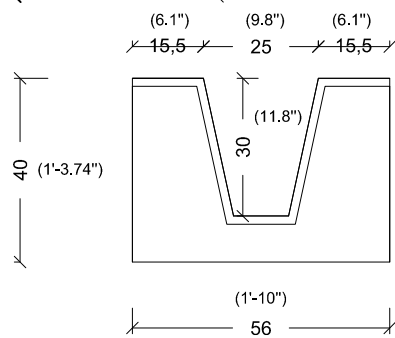
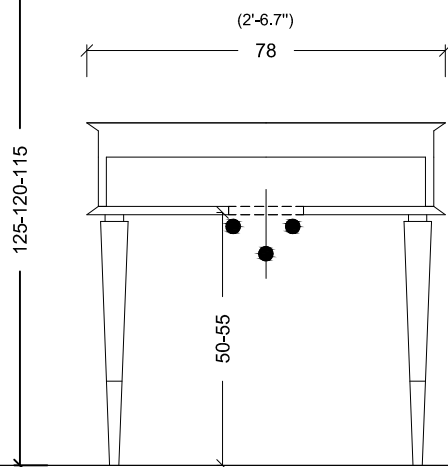
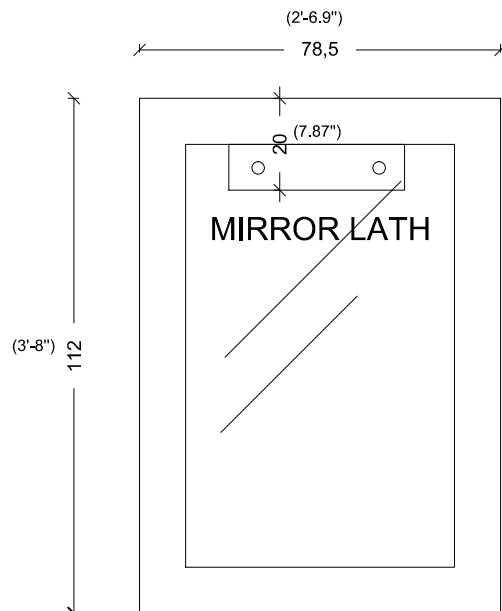


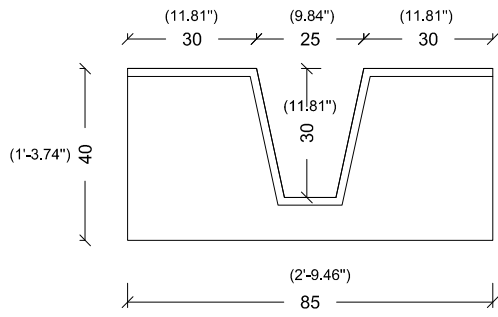
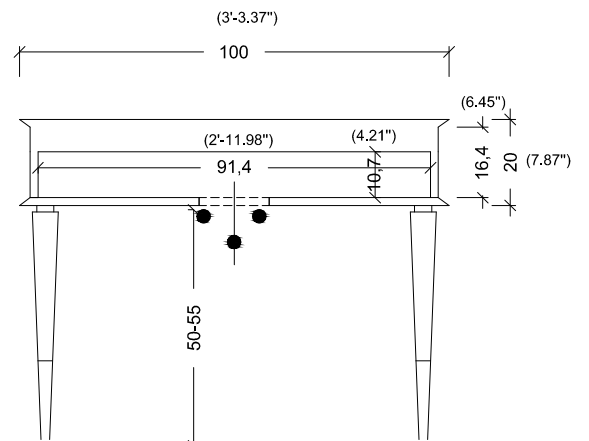
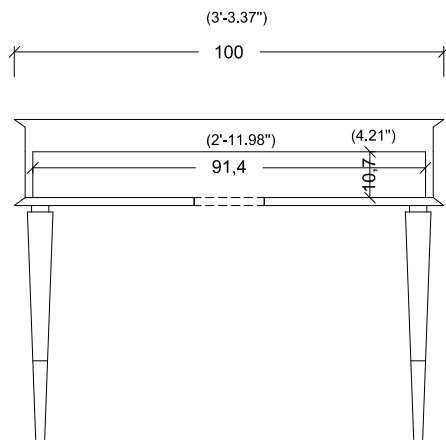


# CAPITONE 78

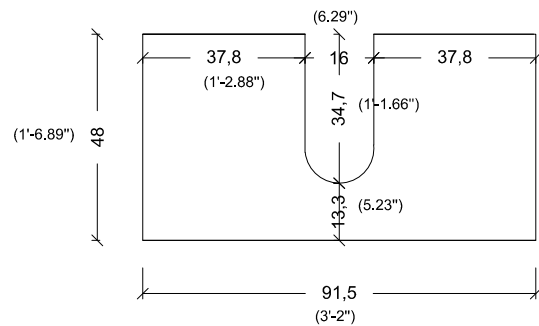


TOP VIEW DRAWER

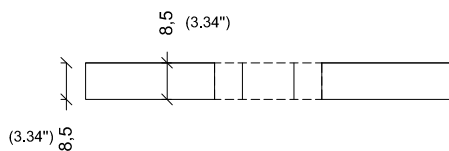
# CAPITONE 100



TOP VIEW DRAWER

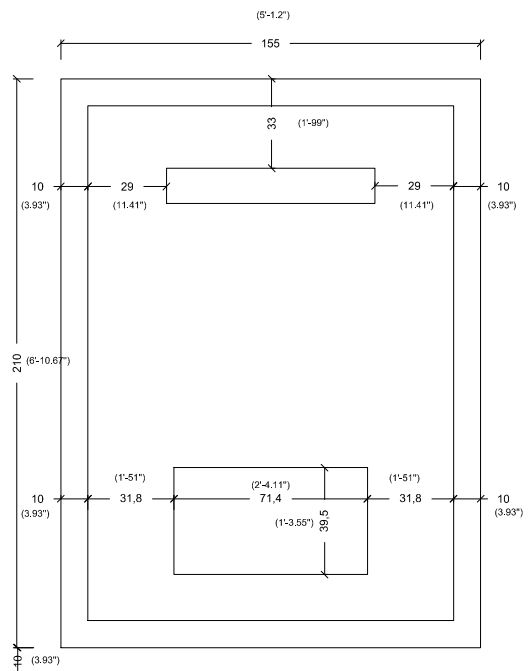
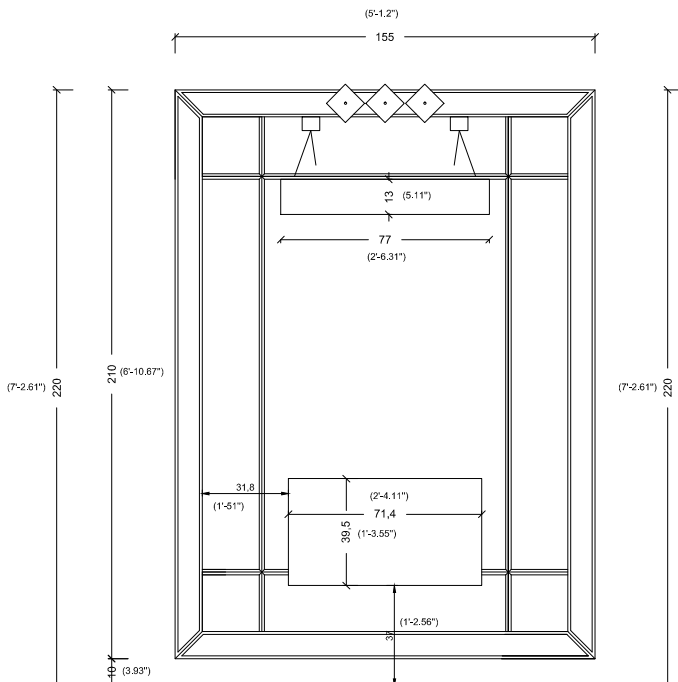
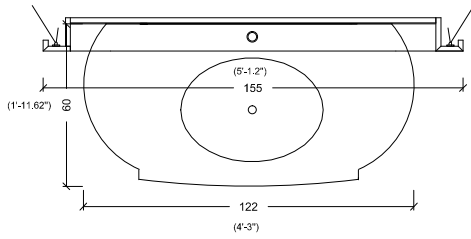
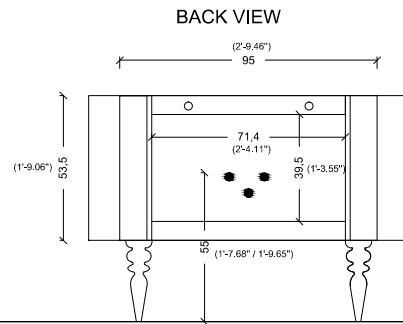
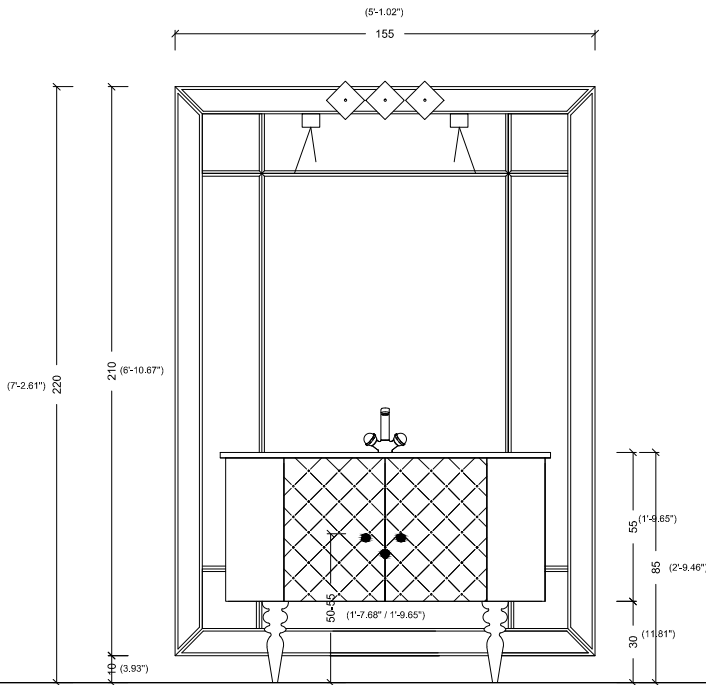


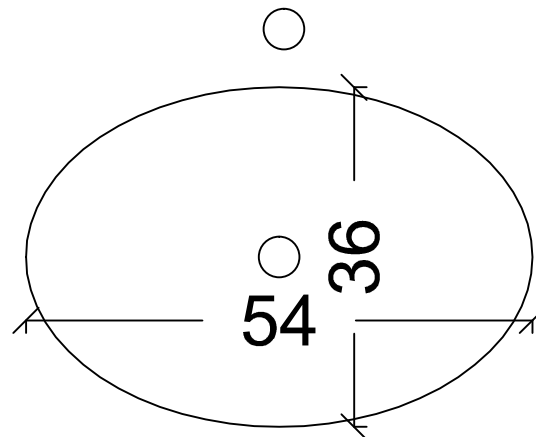
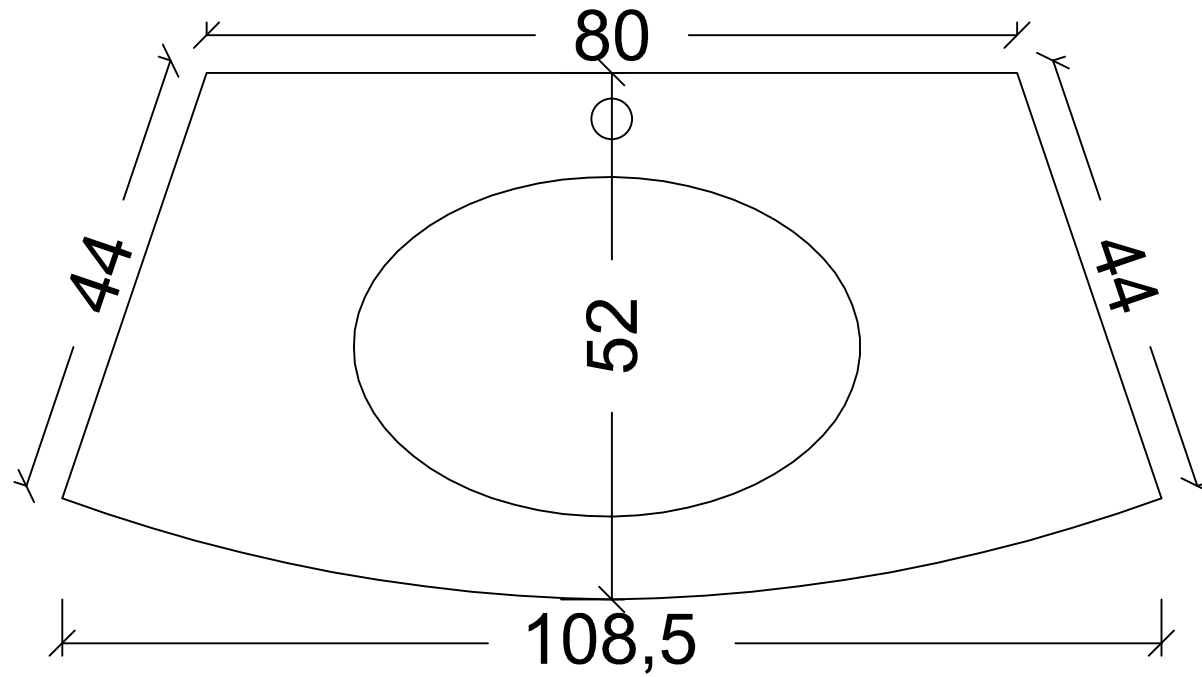
CABINET BACKING



BACK VIEW DRAWER

# CARMEN

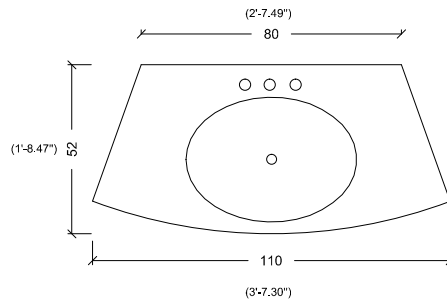
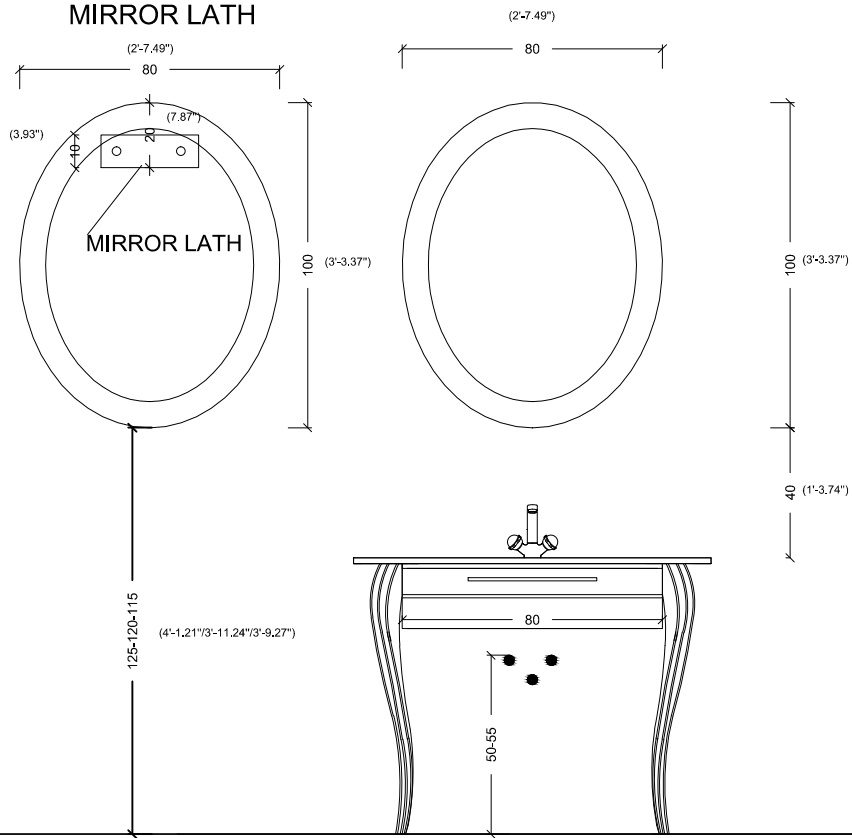




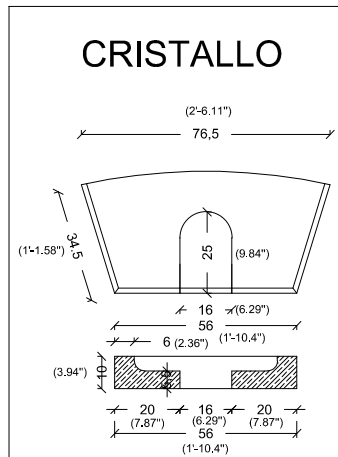
A-28/29

# CRISTALLO

MIRROR LATH

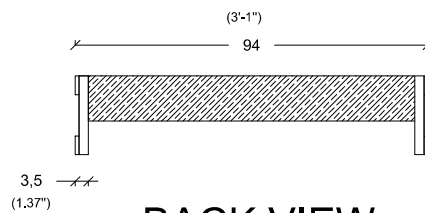
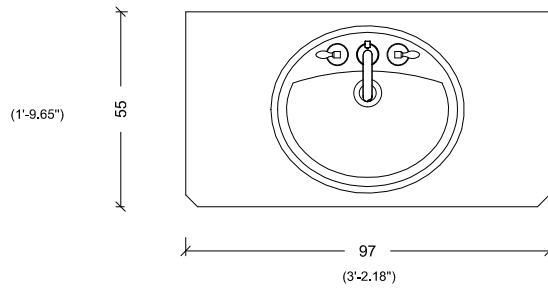
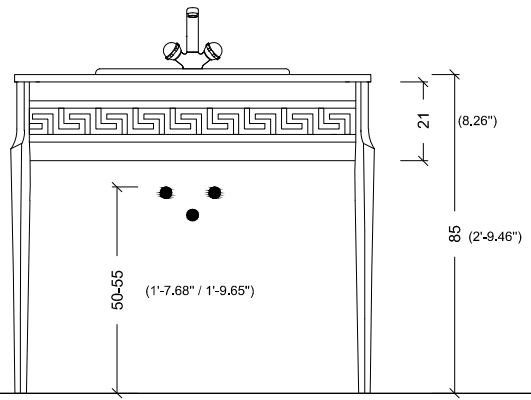
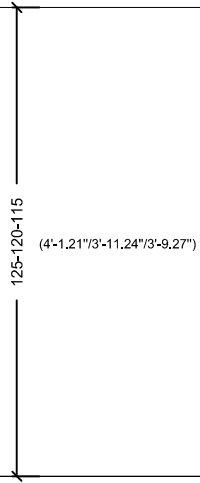
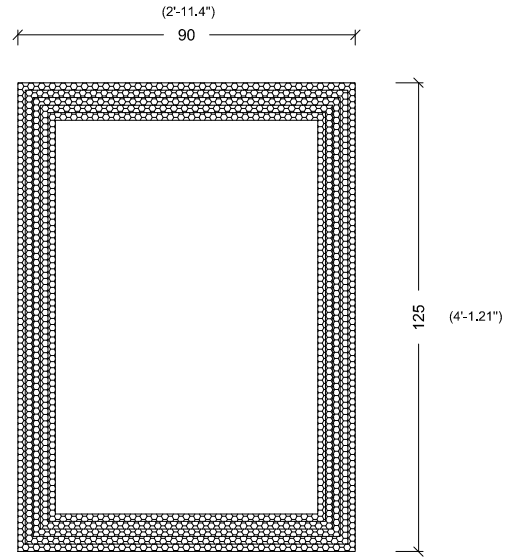
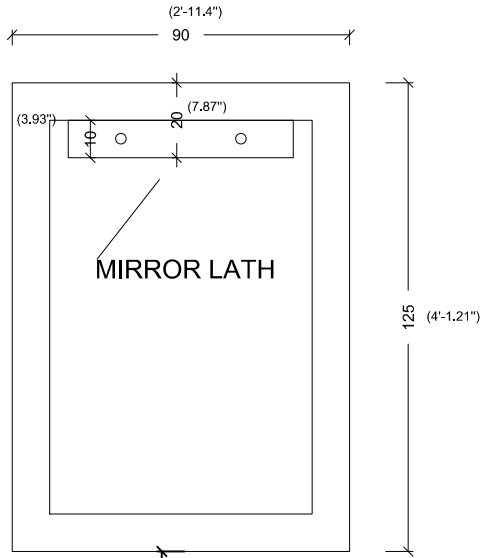


## CRISTALLO



A-30

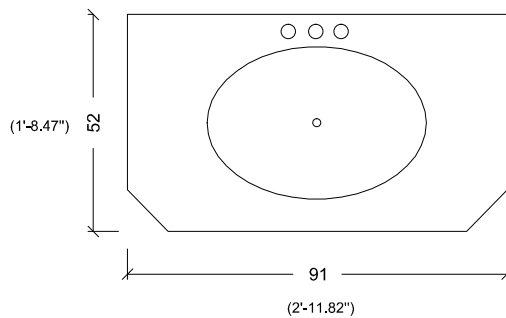
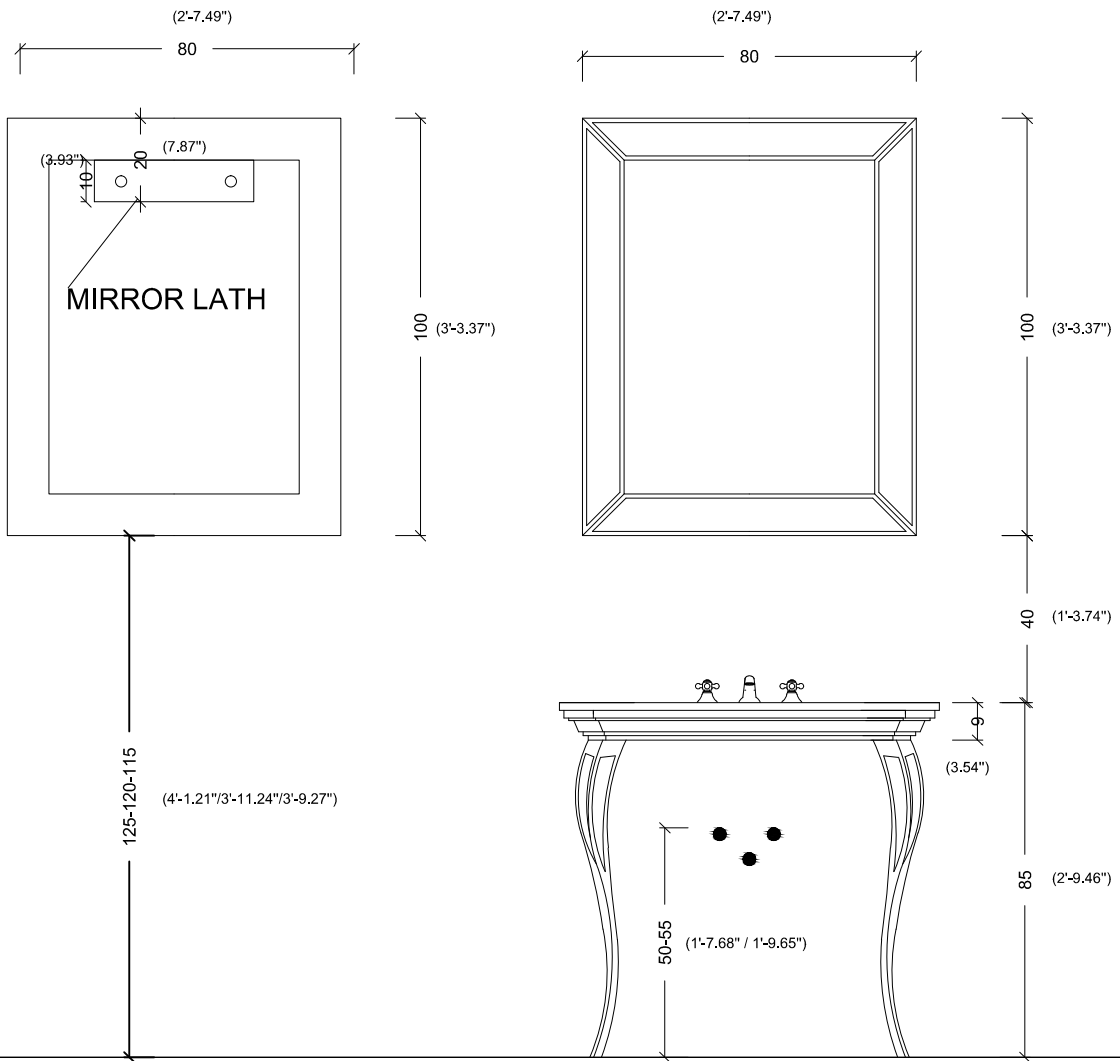
# DIAMOND



BACK VIEW

# ELEGANTE

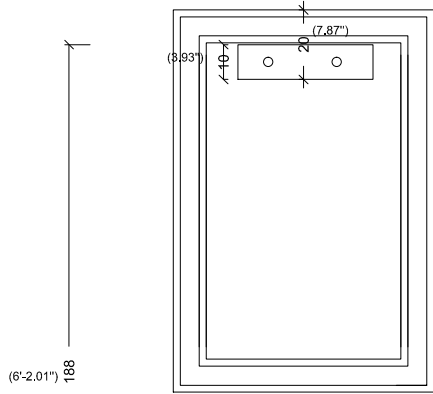
A-26



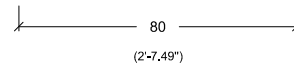
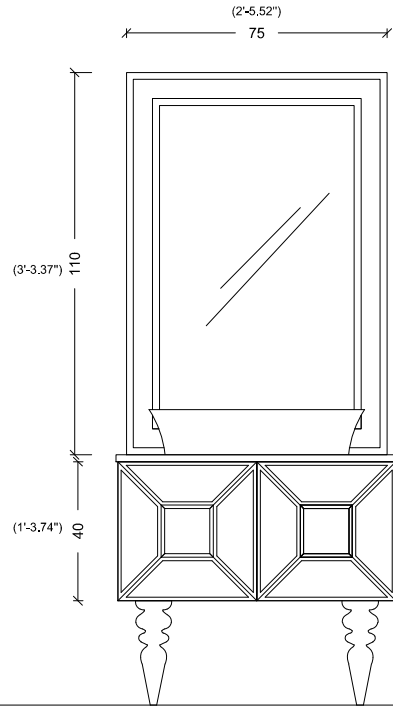


# FIABA 2K

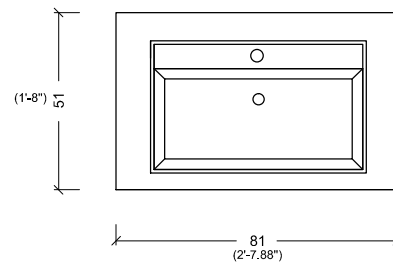
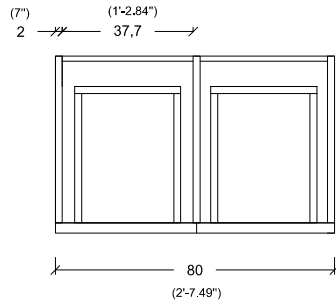
MIRROR LATH



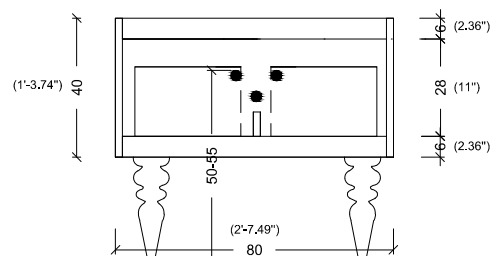
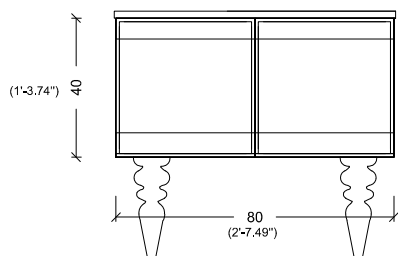
BOTTOM LATH



TOP VIEW

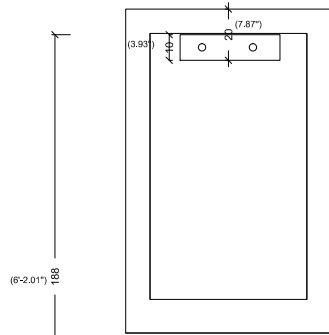


BACK VIEW

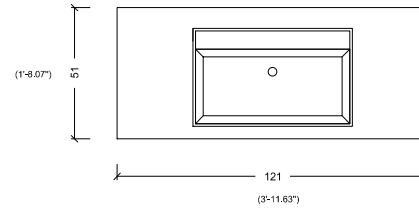
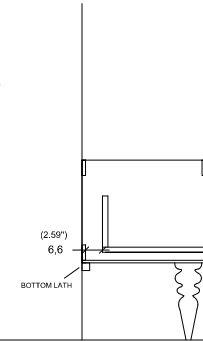
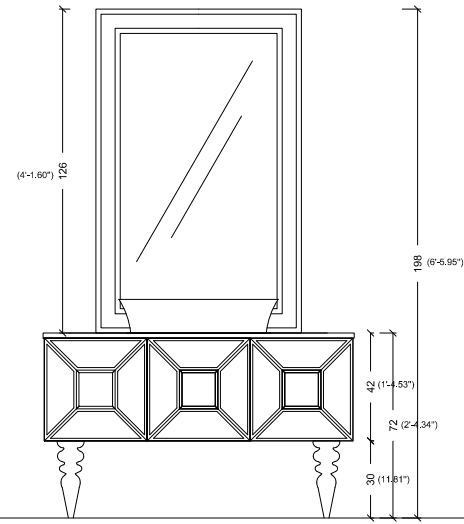


# FIABA 3K

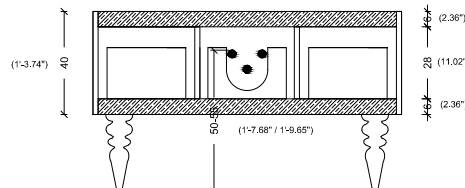
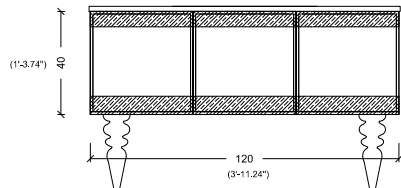
MIRROR LATH



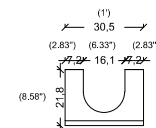
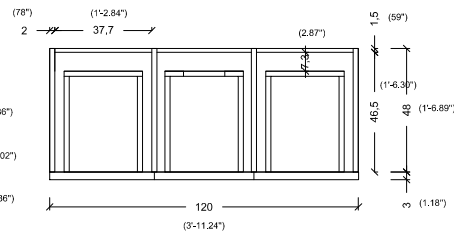
BOTTOM LATH



BACK VIEW

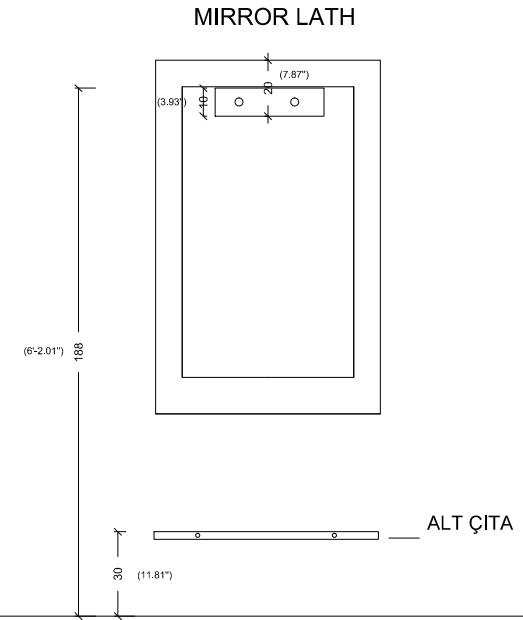
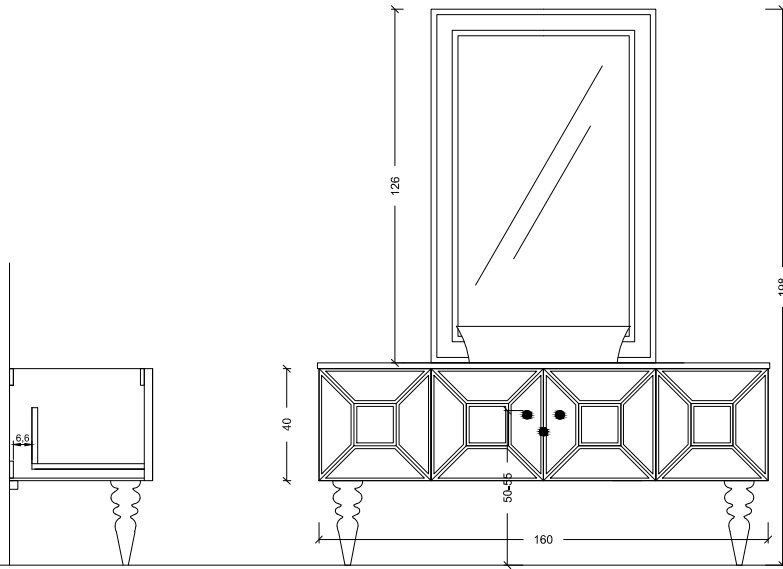


TOP VIEW

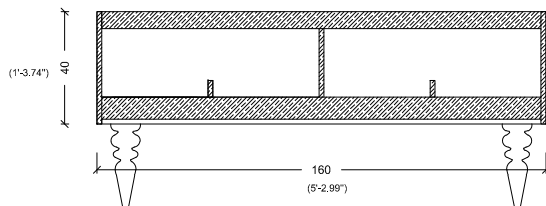


BACK VIEW DRAWER

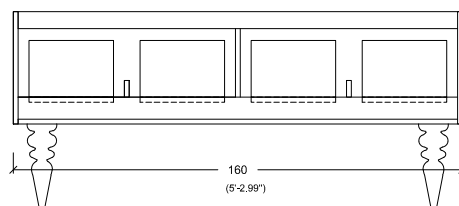
# FIABA 4K



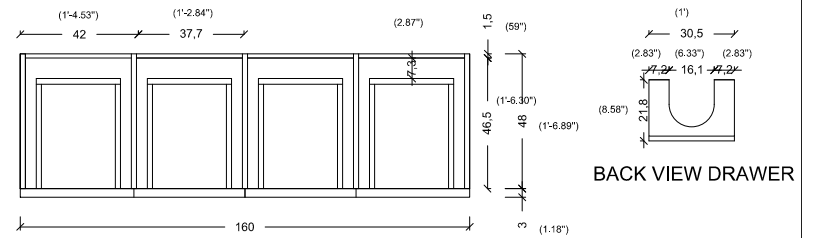
BACK VIEW



BACK VIEW



TOP VIEW



# RUBINA

A-33

